

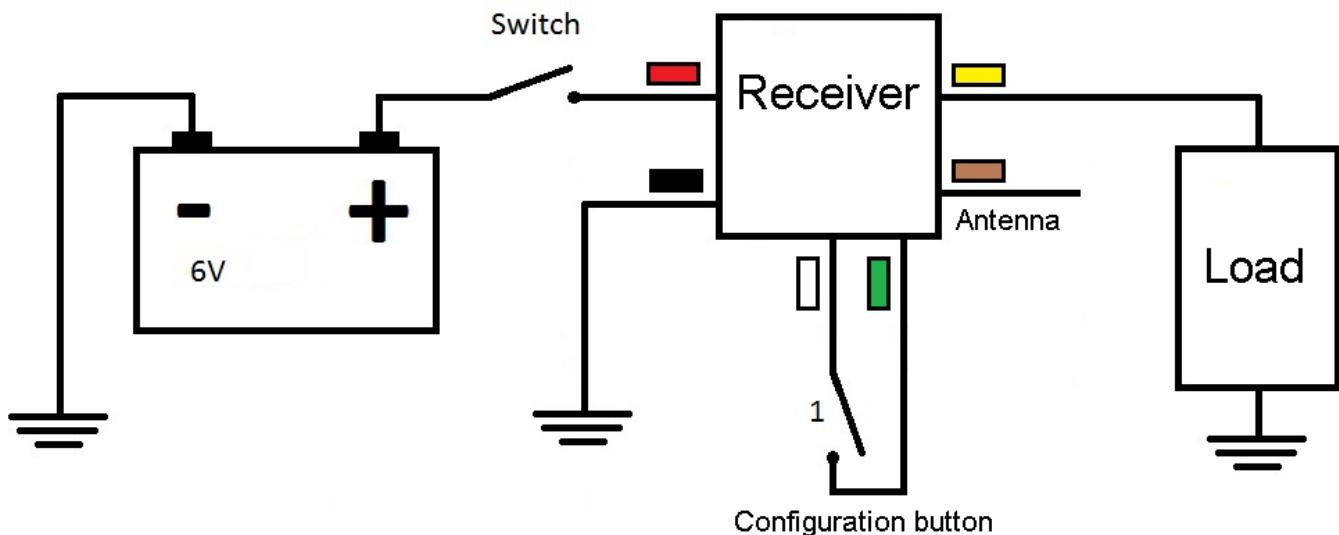
Remote Controlled Decoy Timer.

Remote controlled Decoy Timer can be connected to any 6V motorized decoys to add more realistic real-life motion and remote control it up to 1000 feet away. Timer can be configured with up to 100 ON/OFF time points. Configuration is done via a single button. Reprogram the timer as many times as necessary to better suit hunting environment and decoy. Each timer can be paired with up to 10 different remotes. Each remote has four separate buttons and can control up to four separate timers. Waterproof and designed for outdoors.

5 amp output capacity.

*** For up to date installation instructions and videos visit www.bit.ly/timer20

Please read the entire manual before connecting and configuring Decoy Timer.



Connect remote controlled decoy timer according to the diagram.

Red - Power

Black - Ground

White/Green - Configuration button

Yellow - Output

Brown - Antenna

To pair remote with timer:

1. Push and hold configuration button.
2. Supply power to the receiver.
3. Power to the load will be supplied for a brief moment. Wait for about 5 seconds until the power briefly supplied to the load for the second time and then release the button. Receiver is ready to be paired with remote.
4. Push selected button on the remote to pair with the receiver. Power to the load will be supplied for 1 sec to confirm successful pairing.
5. Turn the power off.

Watch YouTube video: <https://youtu.be/XktUA9sZPFU>

To configure timer:

1. Push and hold the configuration button
2. Supply power to the timer.
3. After about 1 sec the power to the decoy will be supplied for a brief moment. Release the button.
4. Push and release the configuration button multiple times to configure the timer. For example if you want decoy to run 3sec-ON, 6sec-OFF, 1sec-ON and 10sec-OFF : push button for 3 seconds, release and wait for 6 seconds, push for 1 second, release for 10seconds, push button again and disconnect power.

Now the decoy timer can be controlled by the remote. Alternatively you can push configuration button to turn on and off decoy timer.

***Mojo decoys usually come with the four wire plug. Connect the RF receiver to the plug following below diagram.

