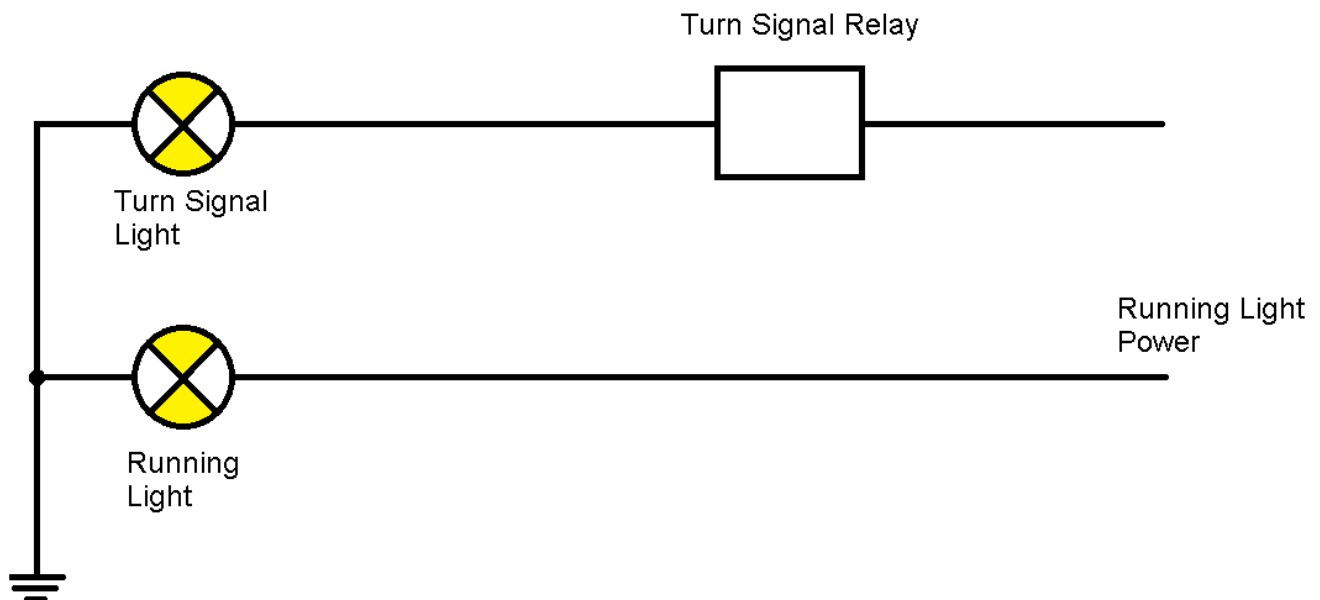


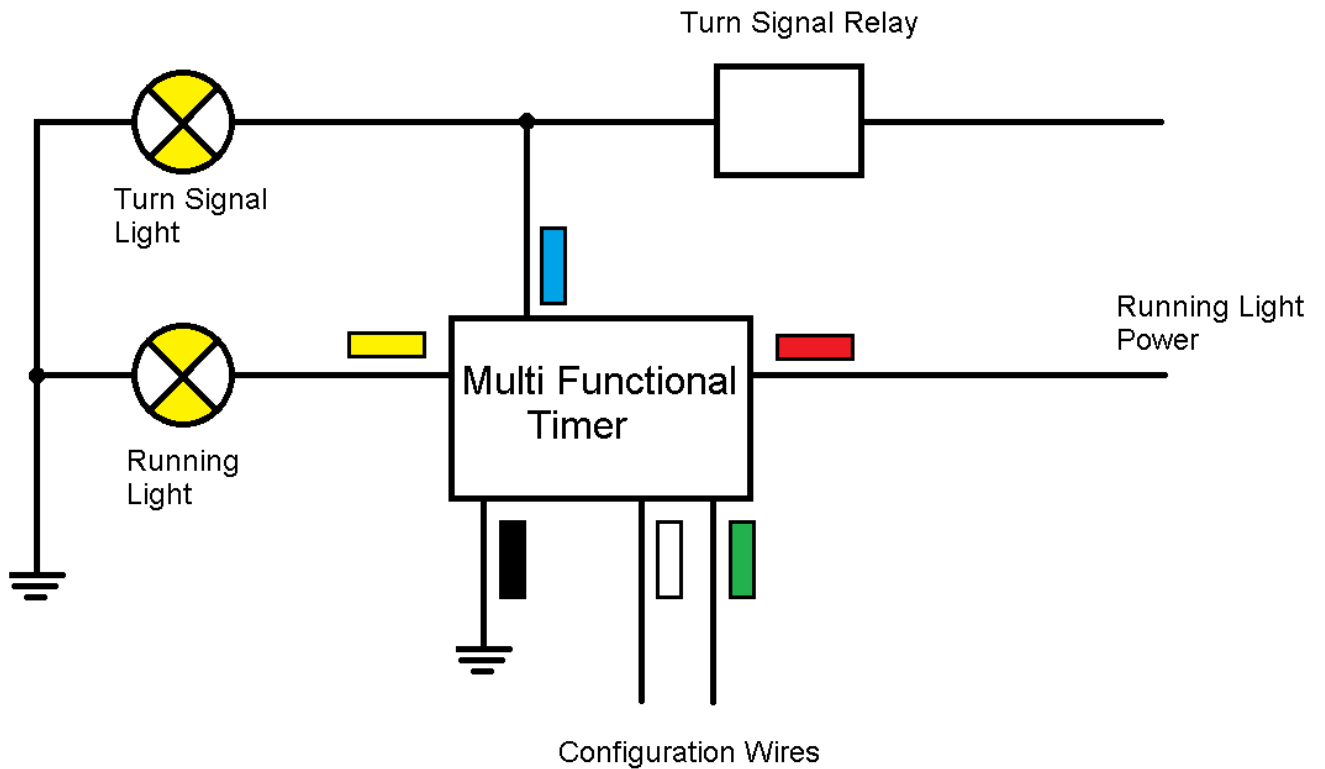
# *Running Light Cancellation Module.*

*Running light cancellation module* can be added to any motorcycle or vehicle to add running light cancellation function. Running light cancellation temporarily turns off running light on the corresponded side of the vehicle when turn signal is activated. Running light cancellation module is a multi-function timer configured in a specific way to achieve desired functionality.

Below is a common configuration for turn and running lights. Turn signal light is connected to turn signal relay and running light is supplied with power when ignition is on.



Here is the diagram with added timer.



Follow timer programming instructions to set the timer  $T = 1\text{sec}$ , Function set to #13, Trigger set to #2 and Output set to reversed.

Timer manual can be downloaded here: [www.bit.ly/timer17doc](http://www.bit.ly/timer17doc)